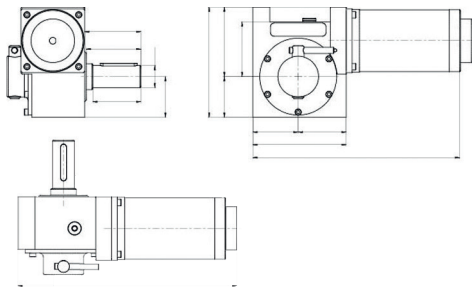
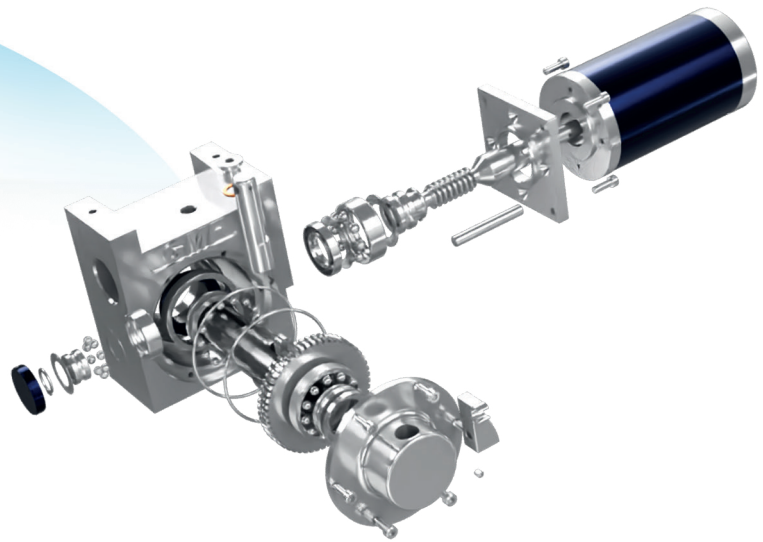




GMF 24V

Discover our innovative sliding gate operator! Designed for maximum reliability and ease of use, our new operator offers the perfect solution for automating sliding gates.

- 24V DC
- Max torque: 40Nm
- Speed: 35 rpm
- Quick-release system
- Encoder possible
- Intensive use



CONTACT US FOR MORE INFORMATION



Customer-oriented



Passionate



Craftsmanship



Quality



Ambitious



Innovation